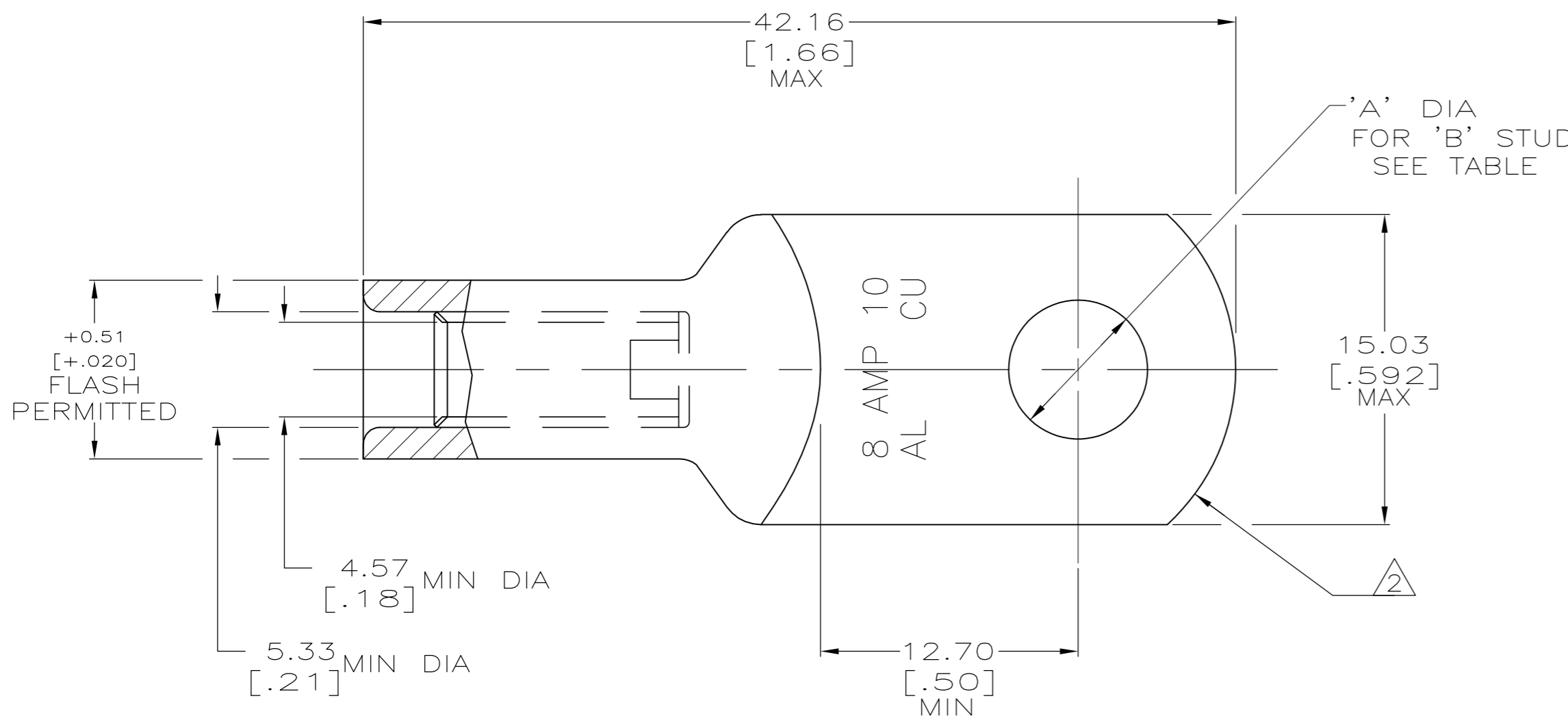
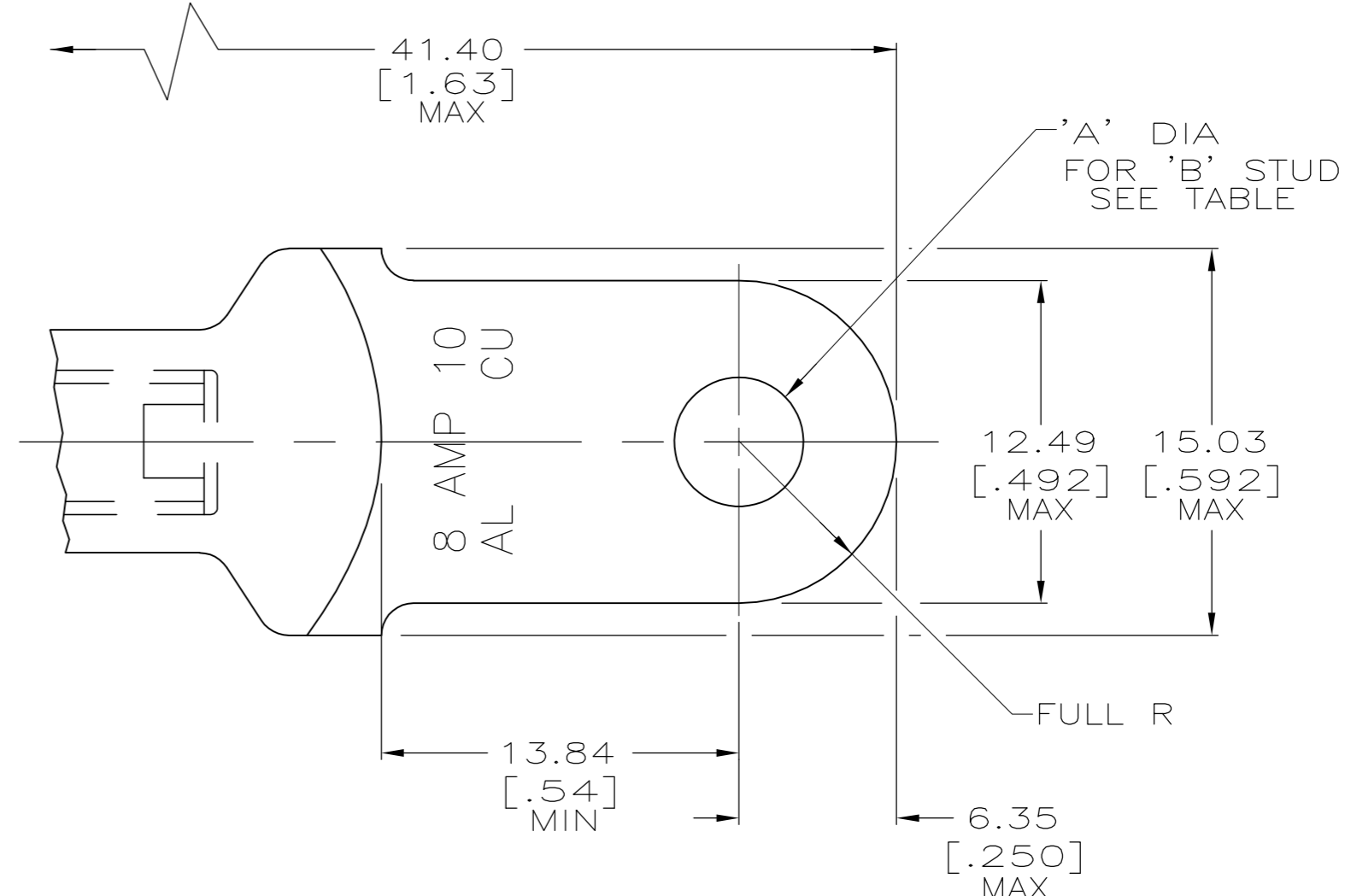


THIS DRAWING IS UNPUBLISHED. RELEASED FOR PUBLICATION
 © COPYRIGHT BY TYCO ELECTRONICS CORPORATION. ALL RIGHTS RESERVED.

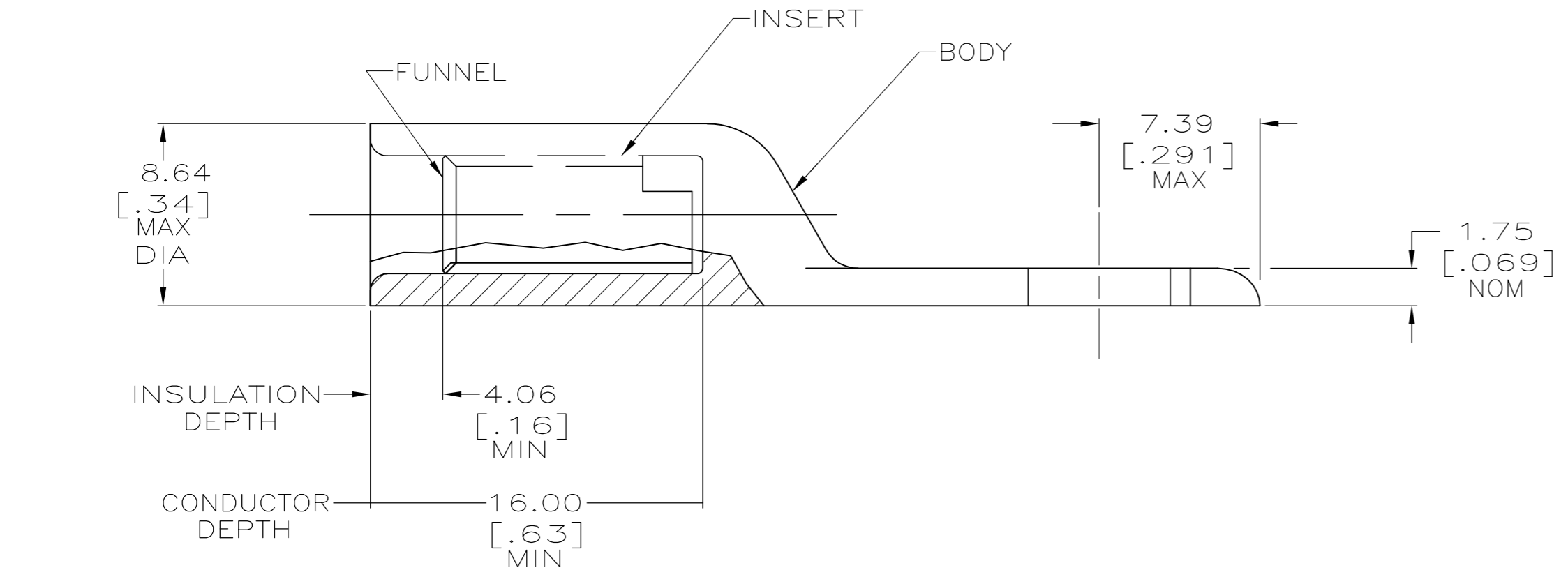
LOC	DIST	REVISIONS					
		P	LTR	DESCRIPTION	DATE	DWN	APVD
G	86		N	REV PER ECR 08-005023	27FEB08	JR	MS



1 WIRE INSULATION: 4.62[.182] - 5.08[.200] DIA
 2 THE TONGUE RADIUS FEATURE IS NOT A TOOLING CONTROLLED DIMENSION AND MAY NOT BE A TRUE RADIUS.



FOR 277147-5 ONLY



WEIGHT	'A'	'B'	MATERIAL & FINISH	PART NO.
10.3±3 GRAMS	5.00±0.08 [.197±.003]	#10	BODY: COPPER ASTM-B187 ANNEALED	277147-5
OBSOLETE	8.33±0.13 [.328±.005]	5/16	TIN PL MIL-T-10727 0.00381[.000150] MIN THK	277147-4
-	6.73±0.13 [.265±.005]	1/4	INSERT & FUNNEL: BRASS ASTM B36	277147-3
10.0±3 GRAMS	9.91±0.13 [.390±.005]	3/8	NICKEL PL SAE AMS QQ-N-290A, DATED JULY 2000,	277147-2
11.0±3 GRAMS	5.00±0.08 [.197±.003]	#10	0.00254 [.000100] MIN THK	277147-1

THIS DRAWING IS A CONTROLLED DOCUMENT.		DWN DK SCHRUM 6/23/89	Tyco Electronics Corporation Harrisburg, PA 17105-3608	
DIMENSIONS: MM [INCHES]		CHK MS FEHER 10/16/90	NAME WIRE TERMINAL, RING TONGUE, SEALED COPALUM, 8.6mm2 [8] ALUMINIUM 4.8mm2 [10] COPPER	
TOLERANCES UNLESS OTHERWISE SPECIFIED:		APVD AJ KAUFMAN 10/23/90	SIZE CAGE CODE DRAWING NO RESTRICTED TO	
0 PLC ± -		PRODUCT SPEC 108-11011	A2 00779 C=277147	
1 PLC ± -		APPLICATION SPEC 114-2134	SCALE 4:1 SHEET 1 of 1 REV N	
2 PLC ± -		WEIGHT SEE TABLE	CUSTOMER DRAWING	
3 PLC ± -		FINISH SEE TABLE		
4 PLC ± -				
ANGLES ± -				